



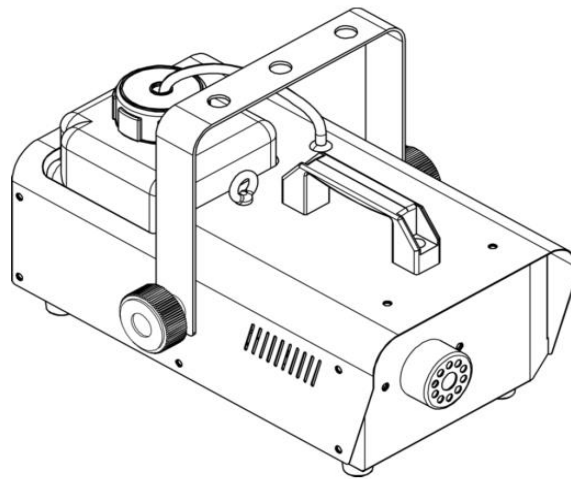
---

# EAGLE RENTAL™

---

Stevens: 1327 N. Reading Road, 17578 - (717) 336-0777  
Lebanon: 2530 Quentin Road, 17042 - (717) 274-3945  
[www.eaglerentalcenter.com](http://www.eaglerentalcenter.com)

## Fog Machine



The Hurricane 1000 Fog Machine is a lightweight, easy-to-use compact fog machine that creates a smoky atmosphere to enhance any light show. It can ONLY be plugged into a grounded and protected circuit (GFCI outlet). Do not expose the fog machine to rain or moisture. The fog machine should be set in an area with adequate ventilation and on a level surface with easy access for operation and fuel replenishment. Also, be sure there are no flammable materials close to the fog machine as the product's housing may get very hot during operation.

1. Fill fog machine with fogger fluid. Do not operate the machine without fluid at any time and do not add perfume, alcohol, gasoline or any other flammables to the fog fluid.
2. Connect the fog machine to power and turn on the power switch. It will take approximately one minute for the green "ready" indicator light to illuminate.
3. Plug in the wired manual fog controller into the Remote Control socket on the rear of the fog machine.

4. You can create fog by one of three following methods:
- Press the green <FOG> button on the Wired Remote Fog Controller to trigger the fog output. The fog will start. The fog button is momentary, which means the fog machine will only output when the <FOG> button is pressed. Once the button is released, the fog machine will stop outputting.
  - The Wireless Remote Control has four buttons. Press button #1 to trigger instant fog output. The other three buttons are nonoperational.
  - You can also manually trigger fog output from the back of the machine by pressing the red <FOG> button.
5. While operating the Fog Machine, make sure there is adequate fog fluid in the machine to prevent pump and heater damage. The heat sensor will make a very loud noise if fog fluid becomes low. Simply add more fog fluid to continue using the fog machine.
6. When finished with the Fog Machine, unplug and allow to cool before transporting.

